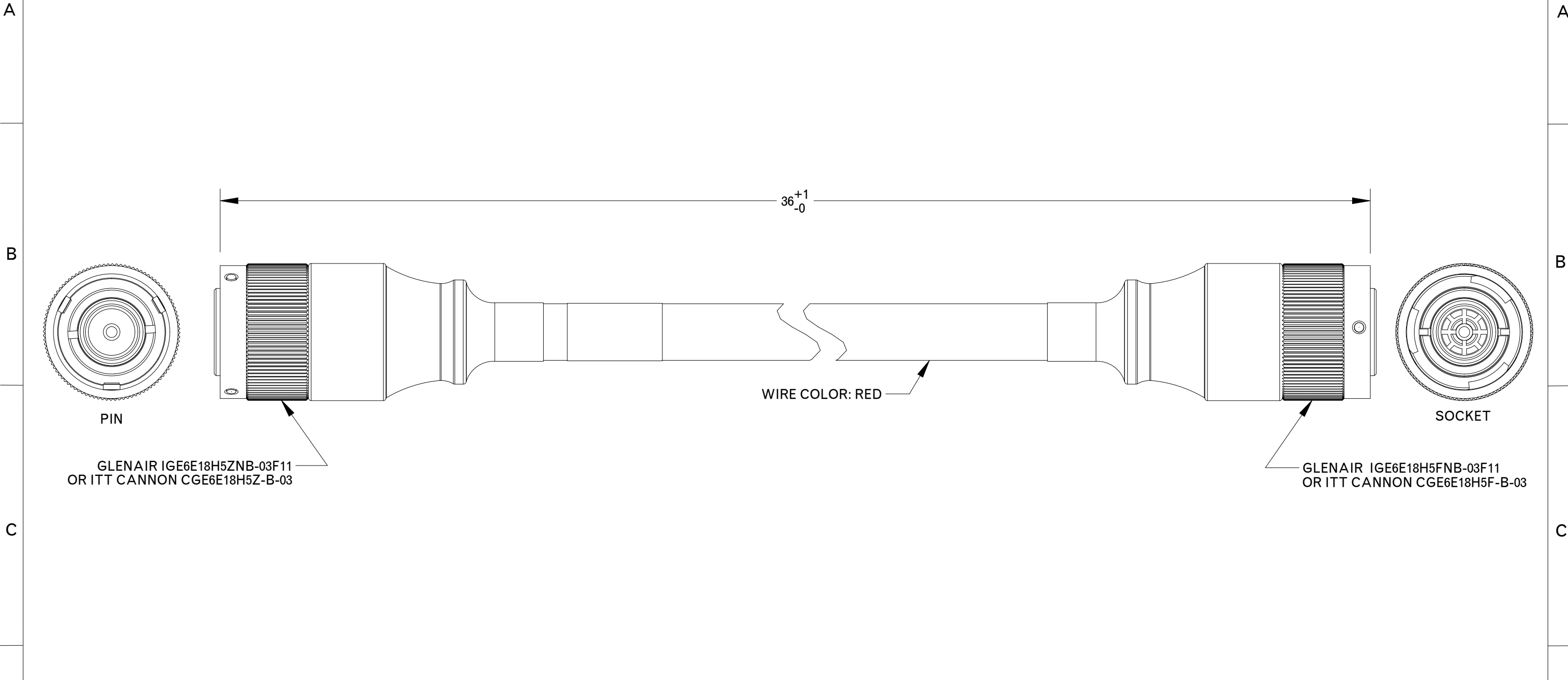


REVISIONS			
REV	DESCRIPTION	DATE	APPROVED
A	PRODUCTION RELEASE PER ECO 17-23142	11/29/17	DS
B	REMOVED REFERENCE DIMENSIONS, ECO 24-30860	03/11/24	K.DUBROWN
C	CORRECT CONNECTOR PN TYPO, ECO 24-30961	04/19/24	K.DUBROWN

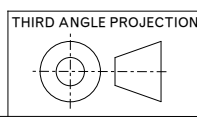


GLEN AIR IGE6E18H5ZNB-03F11
OR ITT CANNON CGE6E18H5Z-B-03

GLEN AIR IGE6E18H5FNB-03F11
OR ITT CANNON CGE6E18H5F-B-03

NOTES:
1. REFERENCE SYNQOR SPECIFICATION: 705-1000197
2. OUTER DIAMETER: 0.750 INCHES
3. WEIGHT: TBD

TOLERANCES:
UNLESS OTHERWISE SPECIFIED:
ALL DIMENSIONS IN INCHES
.X +/- 0.025
.XX +/- 0.010
.XXX +/- 0.005
ANGLES +/- 1°



SynQor 155 SWANSON ROAD
BOXBOROUGH, MA 01719-1316

**MPS 4000 DC OUTPUT MINV DC
INPUT EXTERNAL CABLE (POSITIVE)**

SOURCE: PRO/E SYN-9181_C

THIS DRAWING IS THE PROPERTY OF SYNQOR INC. IT IS NOT TO BE REPRODUCED OR COPIED, IN WHOLE OR IN PART, OR USED FOR FURNISHING INFORMATION TO OTHERS, OR FOR ANY PURPOSE DETRIMENTAL TO THE INTERESTS OF SYNQOR. THE INFORMATION SHOWN HEREIN MAY BE PROTECTED BY PATENTS OWNED OR CONTROLLED BY SYNQOR.	SIZE	DATE	DWG. NO.	REV
	B	APR-19-24	SYN-9181	C
	SCALE: 1.000	DRAWN: KJD	CHECK:	SHEET 1 of 1